

ZETTA

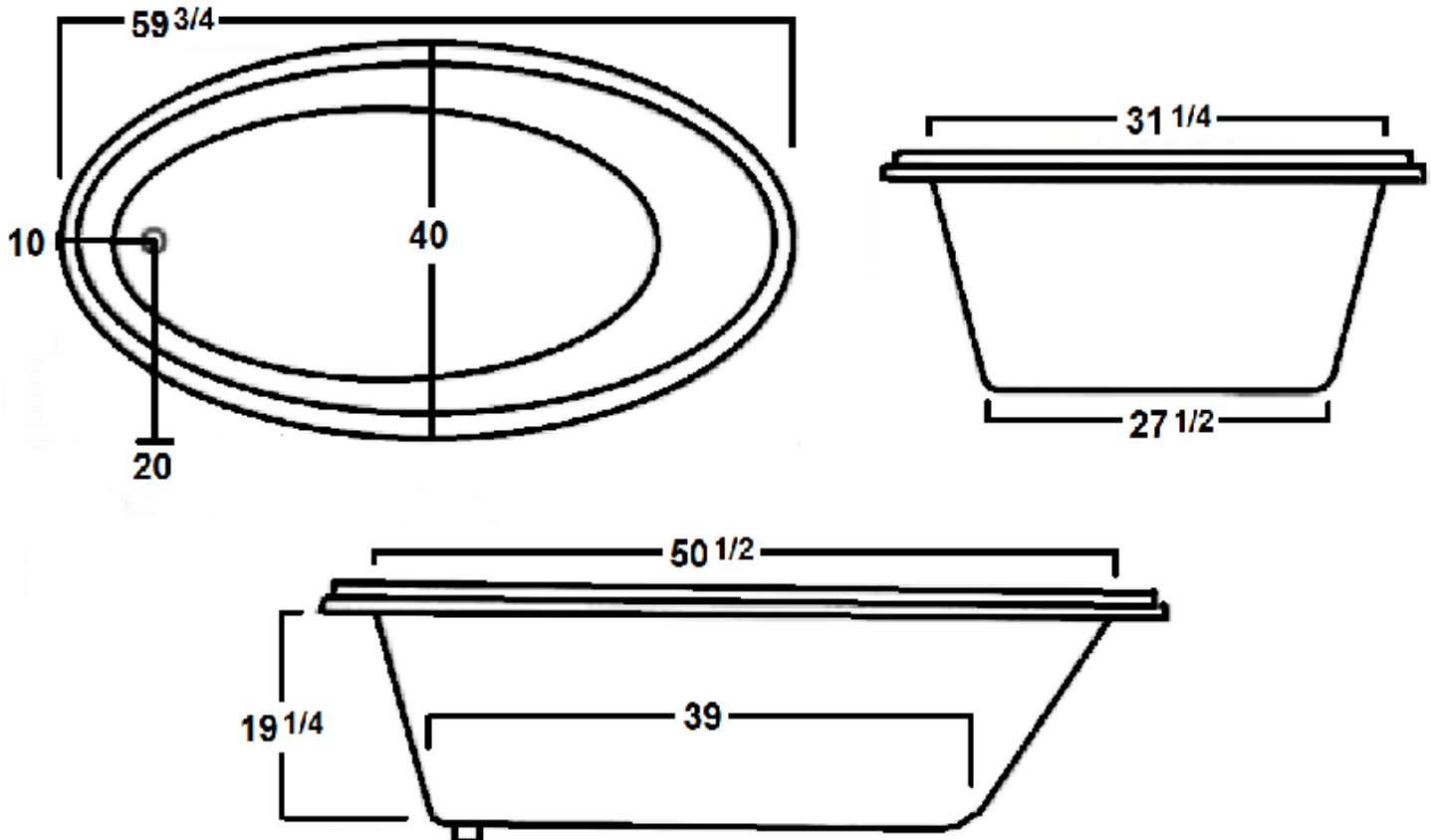
| | | |
|-------|------------|---------|
| ZETTA | WHIRLPOOL | 4060ZW |
| ZETTA | AIR BATH | 4060ZTA |
| ZETTA | COMBO BATH | 4060ZWA |
| ZETTA | TUB ONLY | 4060ZT |

INSTALLATION NOTES: Install this fixture according to the installation manual. Confirm specifications before starting installation.

ELECTRICAL REQUIREMENTS:
Whirlpool pump/motor- 120V, 20A, 60HZ,
Air Blower/Heater- 120V, 20A, 60HZ
Dedicated GFCI required

| SPECIFICATIONS | WHIRLPOOL AIR/COMBO | SOAKER |
|----------------------------------|------------------------|----------|
| <hr/> | | |
| 59 3/4" x 40" x 21 1/4" | | |
| Water Capacity - Operating Level | 36.0 gal | |
| - To Overflow | 62.0 gal | 62.0 gal |
| Approx. Unit Weight | 120 lbs. | 105 lbs. |
| Water Depth to Overflow | 14.5 | 14.5 |

All dimensions are +/- 1/4" and subject to change without notice.



Website: www.laurelmountainwhirlpools.com
Email: sales@laurelmountainwhirlpools.com
Phone: 800-930-0050
Fax: 800-930-0051

Manufacturing Facility
1610 James P. Rodgers Drive
Valdosta, GA 31601

Sales/Customer Service
26 Nesbitt Rd. Suite 257
New Castle, PA 16105