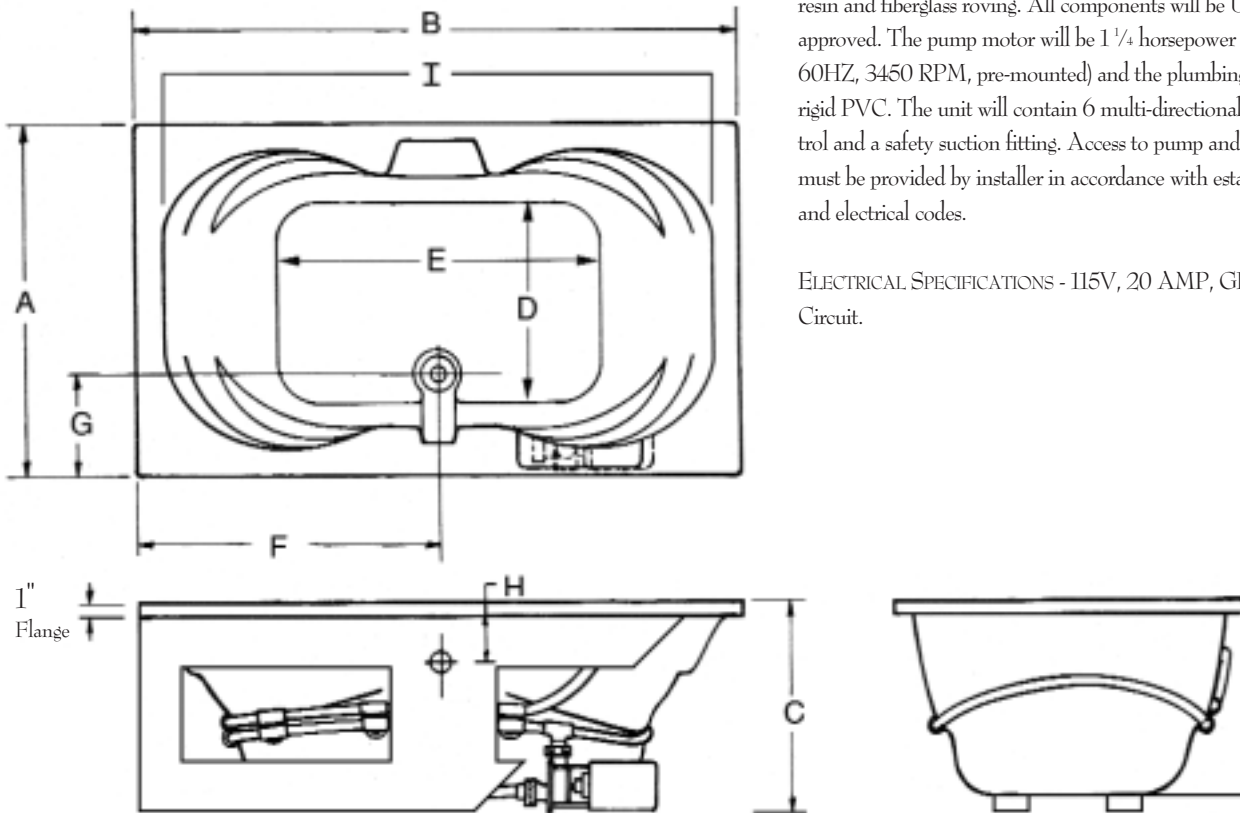


LAUREL MOUNTAIN ACOVE TRADE I

MODEL: #4260-ATW
ACRYLIC BATH ONLY: #4260-ATT

The acrylic whirlpool bath shall be model #4260-ATW (4260-ATT) as manufactured by Laurel Mountain Whirlpools, Inc. It shall be constructed of .100 thick cast acrylic sheet, backed by layers of polyester resin and fiberglass roving. All components will be UL listed and approved. The pump motor will be 1 1/4 horsepower (1 phase, 115V, 60HZ, 3450 RPM, pre-mounted) and the plumbing system will be rigid PVC. The unit will contain 6 multi-directional jets, one air control and a safety suction fitting. Access to pump and plumbing system must be provided by installer in accordance with established plumbing and electrical codes.

ELECTRICAL SPECIFICATIONS - 115V, 20 AMP, GFCI Protected Circuit.



MODEL #	A	B	C	D	E	F	G	H	I
4260 ATW/4260 ATT	41 3/4	59 3/4	23 1/4	26	36	29 3/4	11 3/4	3 3/4	55

MODEL #	WATER CAPACITY OPERATING LEVEL	WATER CAPACITY TO OVERFLOW	APPROX UNIT WT.	APPROX SHIPPING WT.
4260 ATW	55	98	170	210
4260 ATT	-	98	140	180

PUMP MOTOR: Standard 1 1/4 HP, Single Phase, 115V, 60HZ, 3425 RPM, Pre-installed (factory)

ELECTRICAL REQUIREMENTS: 115V, 20 AMP, GFCI Protected Circuit.

CORPORATE SALES AND MANUFACTURING HEADQUARTERS



LAUREL MOUNTAIN
WHIRLPOOLS, INC.

P.O. Box 190
1210 Airbrake Ave.
Turtle Creek, PA
15145-0190

TELEPHONE
412-829-2540
800-930-0050
E-MAIL: sales@laurel
mountainwhirlpool.com

FAX
412-829-1670
800-930-0051
www.laurelmountainwhirlpools.com