

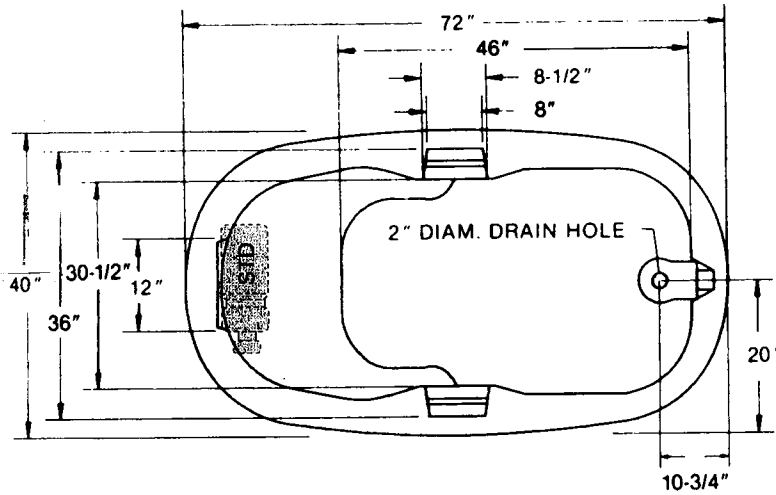
# AMBLER

AMBLER	WHIRLPOOL	4272YW
AMBLER	AIR BATH	4272YTA
AMBLER	COMBO BATH	4272YWA
AMBLER	TUB ONLY	4272YT

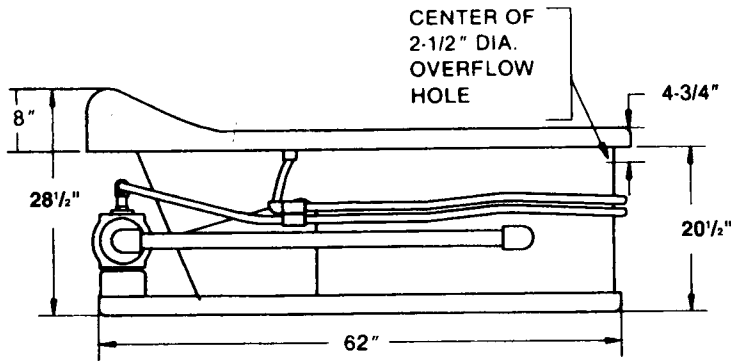
**INSTALLATION NOTES:** Install this acrylic fixture according to the installation manual. Confirm specifications before starting installation.

**ELECTRICAL REQUIREMENTS:** Whirlpool pump/motor 120V, 20A, 60HZ, Air Blower/Heater 120V, 20A, 60HZ. Dedicated GFCI required.

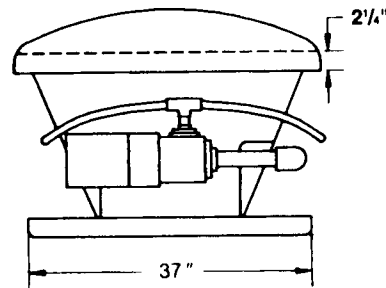
All dimensions are +/- 1/4" and subject to change without notice.



SPECIFICATIONS	WHIRLPOOL	TUB
72" x 40"		
Water Capacity - Operating Level .....	59.0 gal.	
- To Overflow .....	79.0 gal.	79.0 gal.
Approx. Unit Weight .....	178.0 lbs.	143.0 lbs.
Approx. Shipping Weight .....	250.0 lbs.	214.0 lbs.



All dimensions are +/- 1/4" and subject to change without notice.



**ELECTRICAL REQUIREMENTS:** 115V, 20 AMP, GFCI Protected Circuit. Additional source circuit required for optional In-Line "T" Heater. 120 VAC, 20 Amp, GFCI dedicated circuit required with option "Solo Touch" On/off control

CORPORATE SALES AND MANUFACTURING HEADQUARTERS



LAUREL MOUNTAIN  
WHIRLPOOLS, INC.

P.O. Box 190  
1210 Airbrake Ave.  
Turtle Creek, PA  
15145-0190

TELEPHONE  
412-829-2540  
800-930-0050  
E-MAIL: sales@laurel  
mountainwhirlpool.com

FAX  
412-829-1670  
800-930-0051  
WEB SITE:  
<http://www.laurelmountainwhirlpools.com>