

HOURGLASS I PLUS

HOURGLASS I PLUS
 HOURGLASS I PLUS
 HOURGLASS I PLUS
 HOURGLASS I PLUS

WHIRLPOOL
 AIR BATH
 COMBO BATH
 TUB ONLY

4260HPWSR/L
 4260HPASR/L
 4260HPWASR/L
 4260HPTSR/L

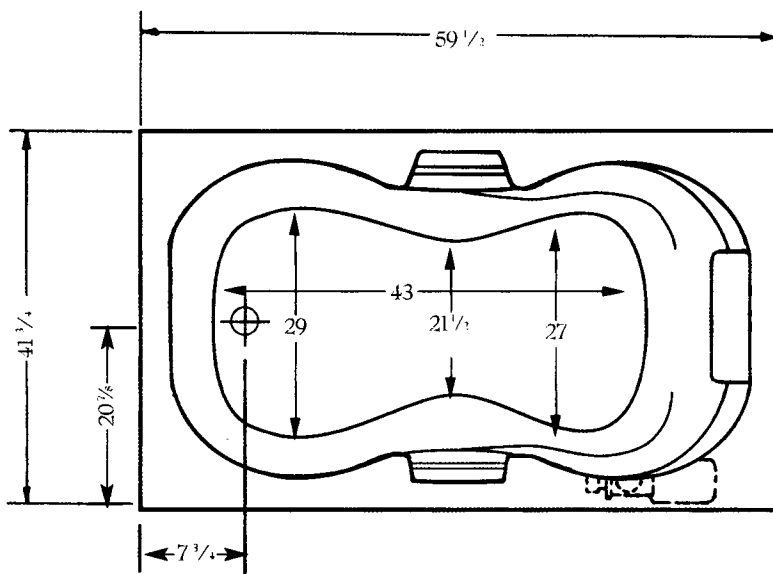
INSTALLATION NOTES: Install this acrylic fixture according to the installation manual. Confirm specifications before starting installation.

ELECTRICAL REQUIREMENTS: Whirlpool pump/motor 120V, 20A, 60HZ, Air Blower/Heater 120V, 20A, 60HZ. Dedicated GFCI required.

All dimensions are $\pm 1/4$ " and subject to change without notice.

All models shown are made with an integral skirt and integral tiling flange

Access panels on skirts are provided for all tubs with pumps, blowers, heaters



ELECTRICAL SPECIFICATIONS - 115V, 20 AMP, GFCI Protected Circuit.

Left and right drain available.

SPECIFICATIONS	WHIRLPOOL	TUB
41 3/4" x 59 1/2" x 21 1/2" Up-flange 1 1/2"		

Water Capacity - Operating Level	42.0 gal.	
- To Overflow	89.0 gal.	89.0 gal.
Approx. Unit Weight	170.0 lbs.	140.0 lbs.
Approx. Shipping Weight	235.0 lbs.	190.0 lbs.

*All dimensions are $\pm 1/4$ " and subject to change without notice. Always pre-measure tub/whirlpool prior to framing alcove or creating deck installation cut out.

