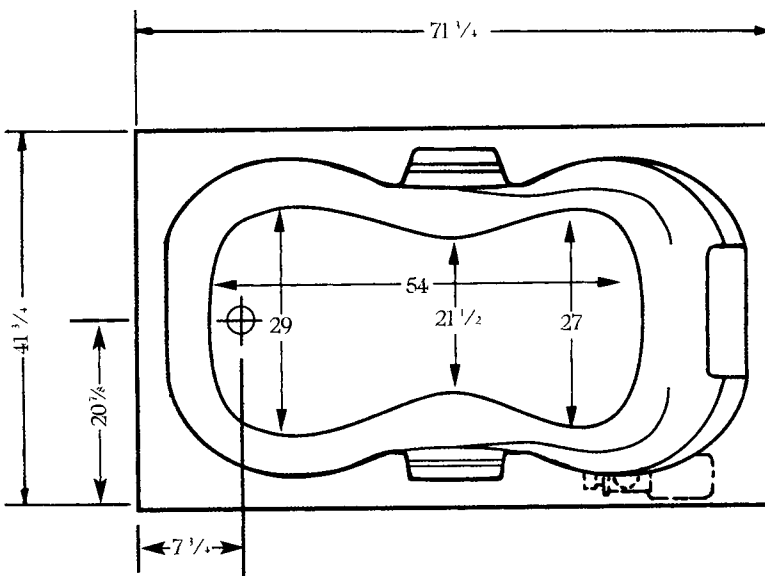


HOURGLASS II PLUS

HOURGLASS II PLUS
 HOURGLASS II PLUS
 HOURGLASS II PLUS
 HOURGLASS II PLUS

WHIRLPOOL
 AIR BATH
 COMBO BATH
 TUB ONLY

4272HPWSR/L
 4272HPASR/L
 4272HPWASR/L
 4272HPTSR/L



ELECTRICAL SPECIFICATIONS - 115V, 20 AMP, GFCI Protected Circuit.

Left and right drain available.

SPECIFICATIONS	WHIRLPOOL	TUB
41 3/4" x 71 3/4" x 21 1/2" Up-flange 1 1/2"		
Water Capacity - Operating Level	52.0 gal.	
- To Overflow	94.0 gal.	94.0 gal.
Approx. Unit Weight	185.0 lbs.	150.0 lbs.
Approx. Shipping Weight	250.0 lbs.	215.0 lbs.

*All dimensions are +/- 3/8" and subject to change without notice.
 Always pre-measure tub/whirlpool prior to framing alcove or creating deck installation cut out.

